

[TopPage](#)>>[Search Result](#)>>7230BDF

# Angular Contact Ball Bearings

Bearing No. : **NACHI 7230BDF**

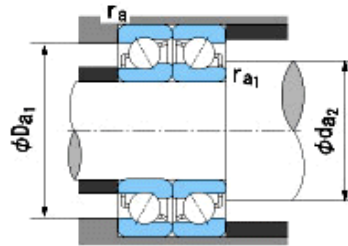
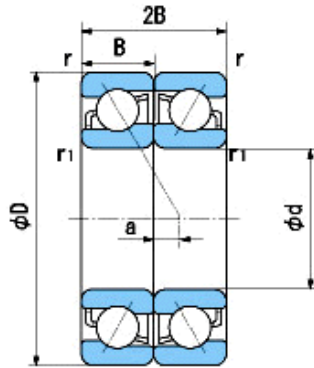
■ Bearing Type

■ Clearance

■ Tolerance Class

Dimensions

d = 150<sup>0</sup><sub>-0.025</sub>  
 D = 270<sup>0</sup><sub>-0.035</sub>  
 B = 45<sup>0</sup><sub>0.000</sub>  
 r = 3~5  
 (Radial Direction)  
 r = 3~8  
 (Axial Direction)  
 r1 = 1.1~2.5  
 (Radial Direction)  
 r1 = 1.1~4  
 (Axial Direction)  
 a = 65.6



Dimensions

da1(min) = 164  
 da2(min) = 157  
 Da1(max) = 256  
 Da2(max) = 263  
 ra(max) = 2.5  
 ra1(max) = 1  
 Mass = 22 kg

Basic Dynamic Load Rating Cr :	<b>360,000</b> N
Basic Static Load Rating Cor :	<b>490,000</b> N
Limiting Speed ;	
Grease Lubrication :	<b>1,500</b> min <sup>-1</sup>
Oil Lubrication :	<b>2,000</b> min <sup>-1</sup>

	INNER RING	OUTER RING
O.D.Surface Runout with Side :		-
Axial Runout with Bore :	-	
Axial Runout with Raceway :	-	
Width Variation :	<b>0.030</b>	<b>0.030</b>
Radial Runout :	<b>0.030</b>	<b>0.060</b>